



Sismat Uluslararası  
Arıtma Makinaları  
İnşaat Mühendislik  
Sanayi ve Tic. A.Ş.



**CONTAINERS &  
CONTAINER TROLLEYS**



# CONTAINERS & CONTAINER TROLLEYS

Containers are the equipment used for collection and transportation of screening materials or sludge which are desired to send away from the system or plant. They have several areas of use including water and wastewater treatment plants.

Very high container circulation can take place in the screening and sludge dewatering facilities of treatment plants where large amount of solids are collected. The container station, designed for the purpose of allowing easy transfer of containers especially in plants with high capacity, consists of three major components:

## Containers | Container trolley | Railing

Container trolley can be manually or electrically controlled. The container trolley is adapted for standard containers. The design is very robust to withstand the heavy loads that may occur. In cases where container trolleys are delivered without a drive unit, it can be equipped with a tow bar for connection to the container truck. As standard the container trolley is delivered to run on rails, but it can also be supplied to run directly on concrete floors as its wheels are fitted with rubber coated steel wheels, depending on needs and requirements.

## FEATURES AND BENEFITS OF SISMAT ULUSLARARASI CONTAINERS & CONTAINER TROLLEYS

- Reliable and robust structure
- Fast and simple solution
- Cost-effective design
- Long lifetime provided
- Robust and withstands heavy loads

## APPLICATIONS

- Water treatment plants,
- Municipal wastewater treatment plants,
- Industrial wastewater treatment plants, etc.



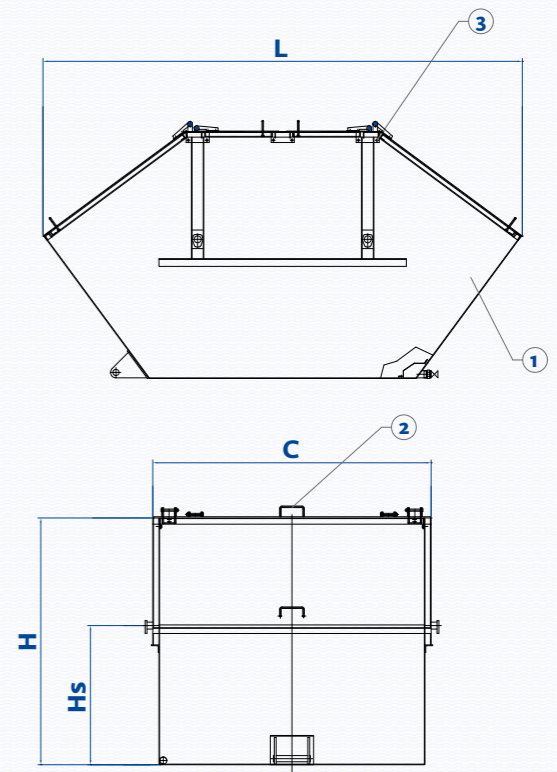
## OUR CONTAINER SPECIFICATIONS

Sismat Uluslararası Containers are manufactured according to DIN 30720 Type SD standards.

Volume (m³)	L (mm)	C (mm)	H (mm)	Hs (mm)	Weight (+/- 10%) (kg)
3	2600	1690	1000	800	675
4	3000	1690	1250	850	725
5	3390	1690	1250	900	800
6	3500	1690	1400	1050	860
7	3750	1690	1500	1180	930

\*For special dimensions, please consult Sismat Uluslararası Sales Engineers.

## Typical Container & Components



Typical drawings are for information only.

## OUR CONTAINER COMPONENTS

	Container Components	Materials Available
1	Frame	Carbon steel or stainless steel grade, AISI304, AISI304L, AISI316, AISI316L,
2	Handles	Carbon steel or stainless steel grade, AISI304, AISI304L, AISI316, AISI316L,
3	Fasteners	A2, A4





Learn More by visiting

[www.sisnat.com.tr](http://www.sisnat.com.tr)

Sisnat Uluslararası Arıtma Makinaları  
İnşaat Mühendislik San. ve Tic. A. Ş.  
Address: Gebze Güzeller Organize Sanayi Bölgesi (GGOSB)  
Fatih Sultan Mehmet Cd. 5/1 Gebze/Kocaeli/Türkiye  
Telephone : +90 262 751 12 54  
Fax: +90 262 751 12 56